

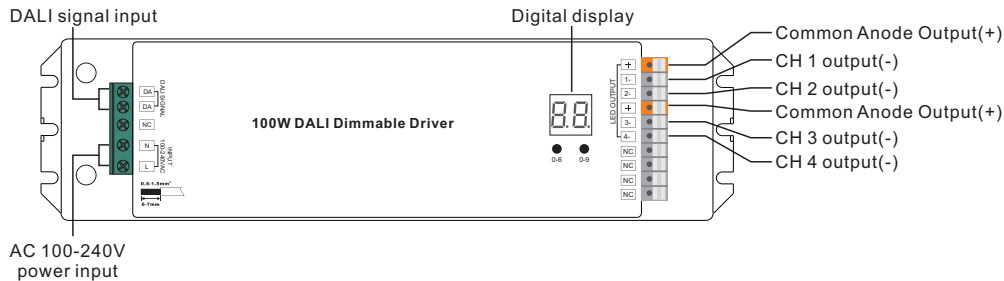
100W DALI LED Driver(constant voltage)

09.DA9624CVF.04763



Important: Read All Instructions Prior to Installation

Function introduction



Product Data

Output	LED Channel	4
	DC Voltage	24V DC
	Max. Current	Max. 4.16A/CH, CH1+CH2+CH3+CH4=4.16A
	Voltage Tolerance	±1%
	Rated Power	max. 100W
Input	Voltage Range	100-240V AC
	Frequency Range	50/60Hz
	Power Factor (Typ.)	> 0.90 @ 230VAC
	Total Harmonic Distortion	THD ≤ 15% (@ full load / 230VAC)
	Efficiency (Typ.)	90% @ 230VAC full load
	AC Current (Typ.)	1.2A @ 100VAC, 0.5A @ 230VAC
	Inrush Current (Typ.)	COLD START Max. 50A at 230VAC
	Leakage Current	< 0.5mA /230VAC
Control	Dimming Interface	DALI (DALI consumption < 2mA)
	Dimming Range	0%-100%
	Dimming Method	Pulse Width Modulation
Protection	Over Current	Yes, recovers automatically after fault condition is removed
	Over Temperature	Yes, recovers automatically after fault condition is removed

Environment	Working Temp.	-20°C ~ +50°C
	Max. Case Temp.	75°C (Ta="45°C")
	Working Humidity	10% ~ 95% RH non-condensing
	Storage Temp. & Humidity	-40°C ~ +80°C, 10% ~ 95% RH
Safety & EMC	Safety Standards	TUV EN61347-1, EN61347-2-13 approved
	Withstand Voltage	I/P-O/P: 3.75KVAC
	Isolation Resistance	I/P-O/P: 100M Ohms / 500VDC / 25°C / 70% RH
	EMC Emission	EN55015, EN61000-3-2, EN61000-3-3
	EMC Immunity	EN61547, EN61000-4-2,3,4,5,6,8,11, surge immunity Line-Line 1KV
Others	MTBF	193600H, MIL-HDBK-217F @ 230VAC full load and 25°C ambient temperature
	Dimension	244*64*32mm (L*W*H)

- Dimmable LED driver
- 100-240VAC wide input voltage
- Max. output power 100W total
- 4 channels DC 24V constant voltage output
- Class 1 power supply, full isolated plastic case
- High power factor and efficiency
- Built-in DALI Dim interface, DALI DT6 device
- Complies with DALI standards IEC62386-101, 102, 207
- DALI addresses quantity can be set as 1/2/3/4
- Enables to control single color, CCT (needs 2 DALI addresses), RGB (needs 3 DALI addresses), RGBW (needs 4 DALI addresses) LED lighting
- Compliant with Safety Extra Low Voltage standard
- Over load, over temperature protection
- IP20 rating, suitable for indoor LED lighting applications
- 5 years warranty

Safety & Warnings

- DO NOT install with power applied to device.
- DO NOT expose the device to moisture.

Operation

Set DALI Address Manually Via Buttons



- 1.1. Press and hold down any of the two buttons until numeric digital display flashes, then release the button.
- 1.2. Click any of the two buttons once to select a digit, click again to change the digit until the desired DALI address appears. Click first button to set "tens" position and second button to set "units" position. The address can be set from 00~63.
- 1.3. Then press and hold down any of the 2 buttons until the numeric digital display stops flashing to confirm the setting.

Note: DALI address can be manually assigned from 00-63-FF, by factory defaults, no DALI address is assigned for the driver, and the display shows **FF**. Setting DALI address as **FF** will reset the dimmer to factory defaults.

FF Mode: to set the driver to **FF** mode, please set the DALI address above 63 or below 00, which will enable the display to show **FF**, then press and hold down any of the two buttons until display stops flashing to confirm the setting.

Set DALI Address Quantity



- 1
- 2

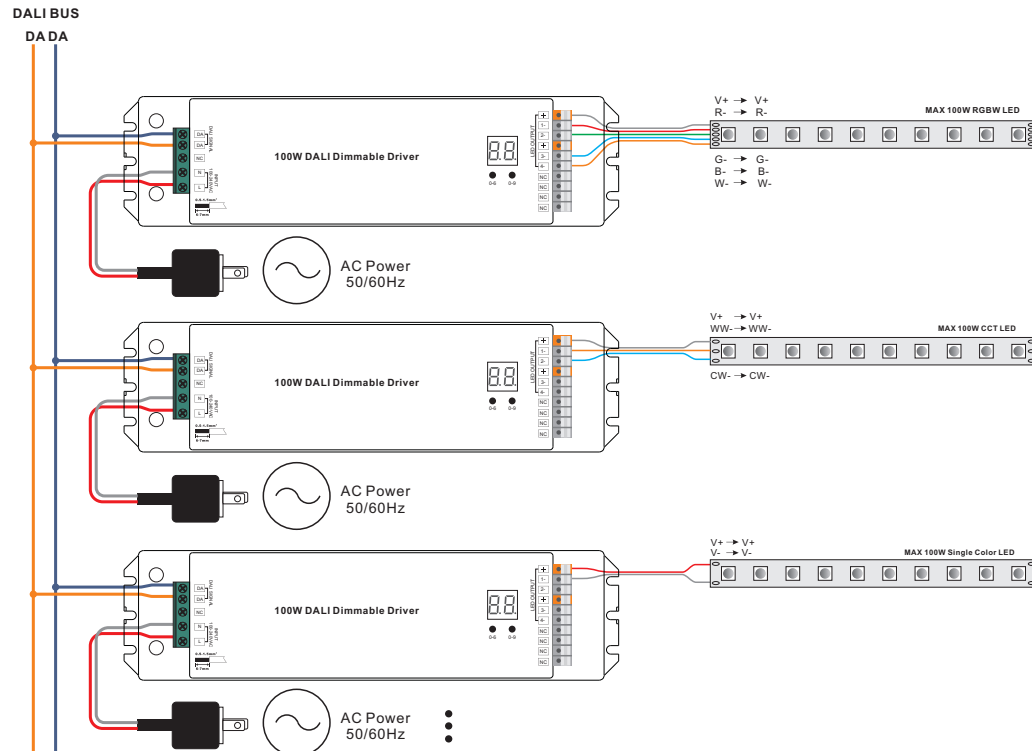
- 1.1. Press and hold down both of the two buttons until numeric digital display flashes, then release the button.
 - 1.2. Click first button to select "1A", "2A", "3A" or "4A" which means 1 address, 2 addresses, 3 addresses or 4 addresses.
 - 1.3. Then press and hold down any of the 2 buttons until the numeric digital display stops flashing to confirm the setting.
- For example, when we set address to 22:
 When select 1A, all four channels will be the same address 22.
 When select 2A, channel 1 & 3 will be the same address 22, channel 2 & 4 will be the same address 23.
 When select 3A, channel 1, 2, 3 will be address 22, 23, 24 respectively, and channel 4 address is also 24.
 When select 4A, channel 1, 2, 3, 4 will be address 22, 23, 24, 25 respectively.

DALI Address Assigned by DALI Masters

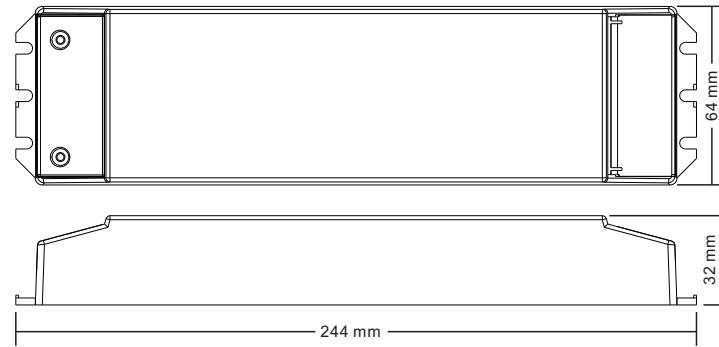
DALI address can also be assigned by DALI Master controller automatically, please refer to user manuals of compatible DALI Masters for specific operations.

Note: The digital display will show **AU** When the DALI master is assigning addresses.

Wiring diagram



Product Dimension



Installation



Note: when mounting the driver, please choose any one of the three fixing screw holes to fix with a screw at each end.