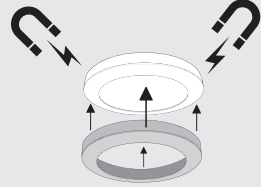
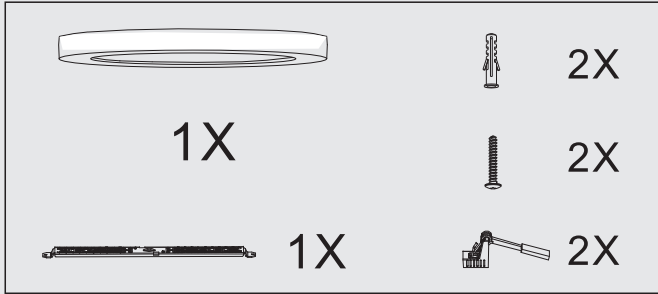




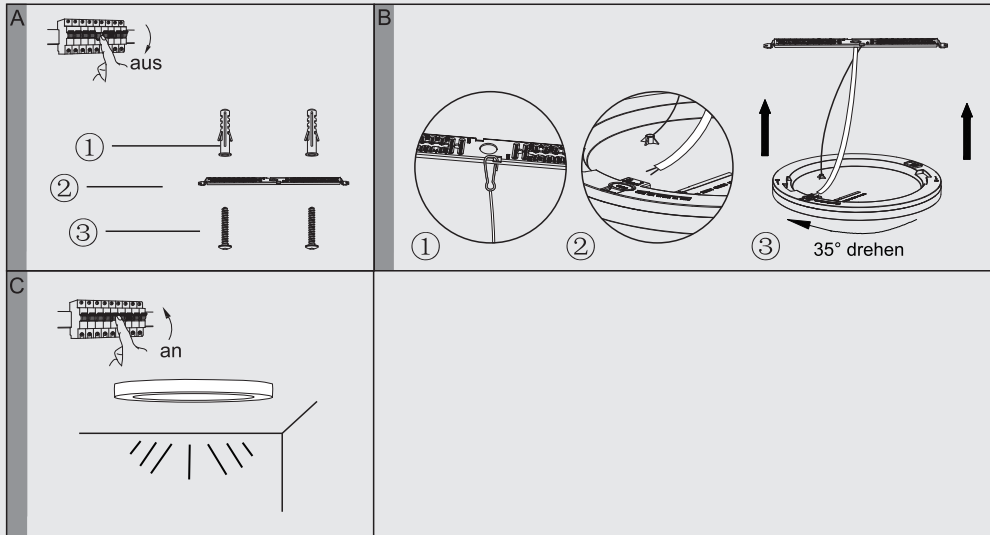
Before Installation



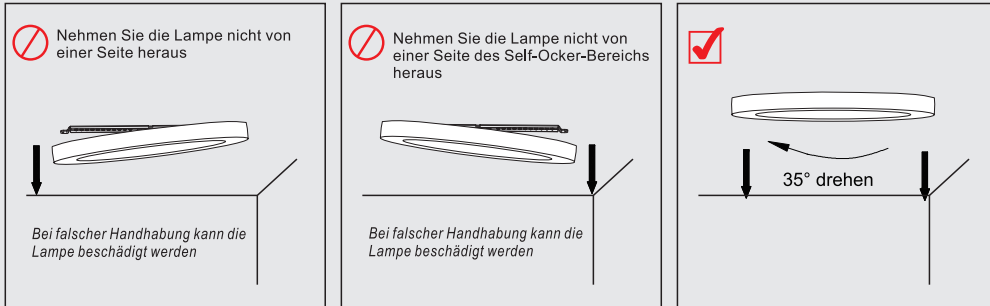
BUILT-IN MAGNETS
Ready for External Metal Ring

Fall A (Aufbau)

Installation

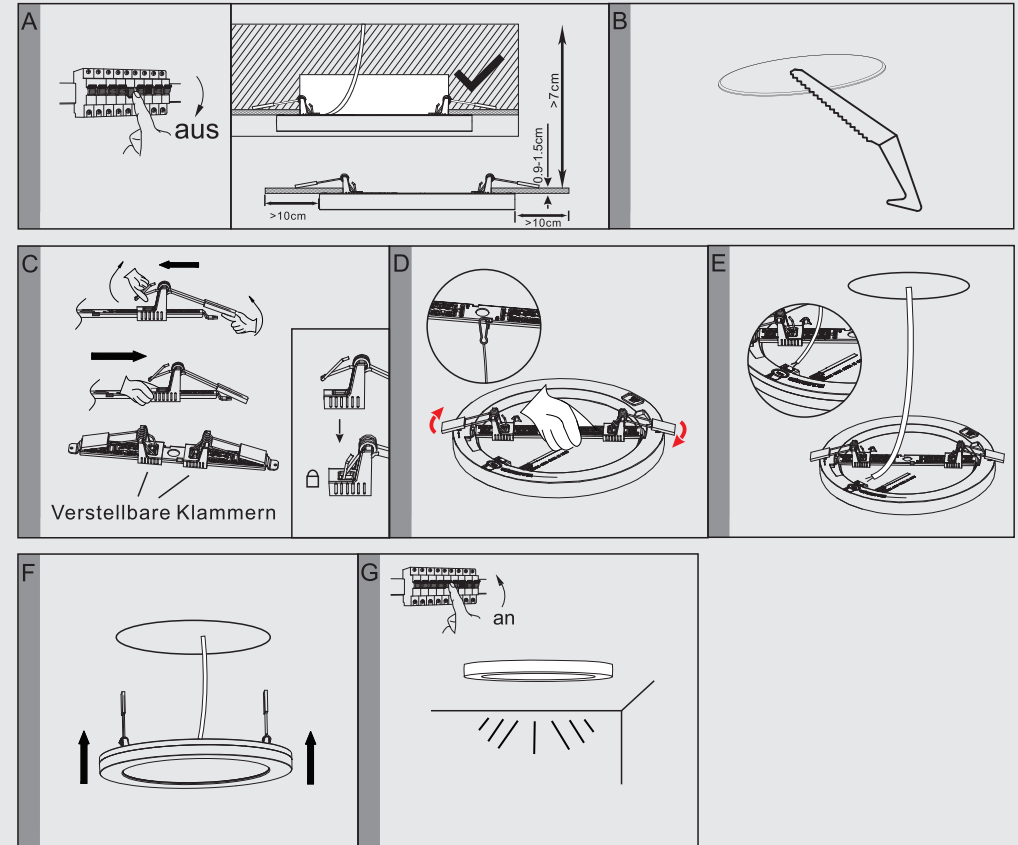


Deinstallation



Fall B (Einbau)

Installation



Deinstallation

