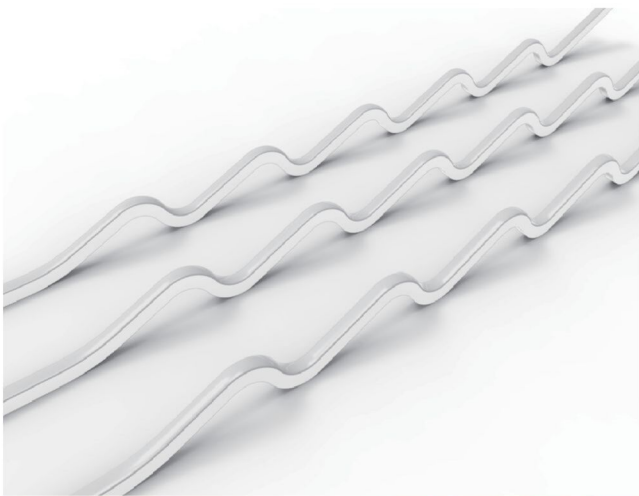
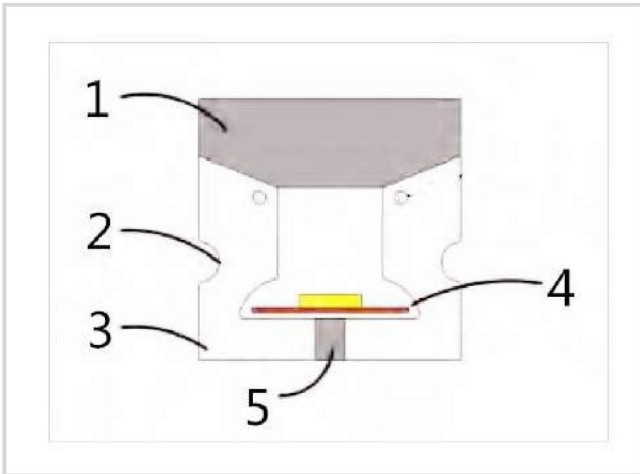


## Product Features

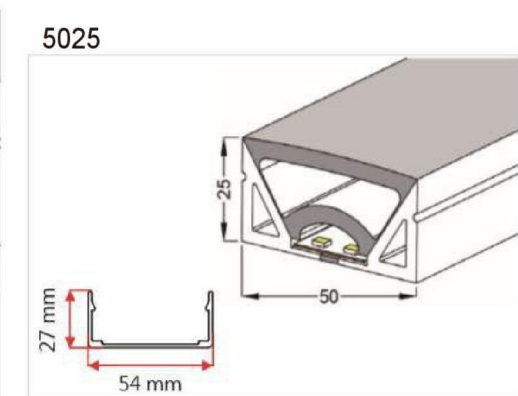
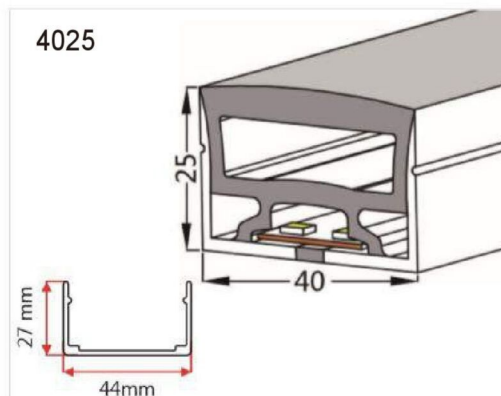
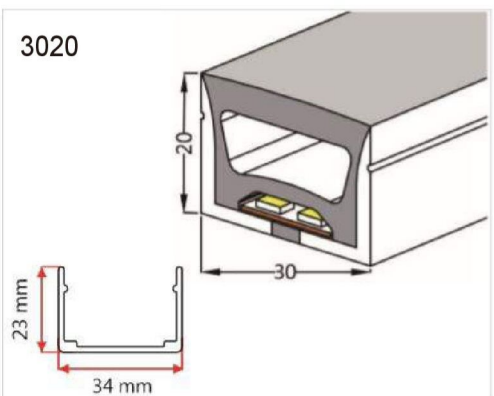
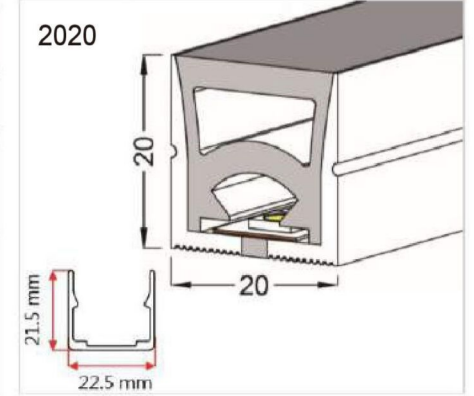
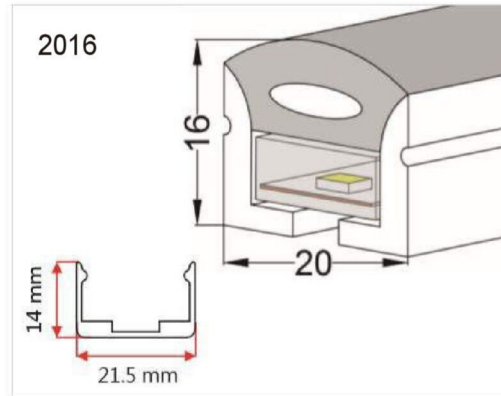
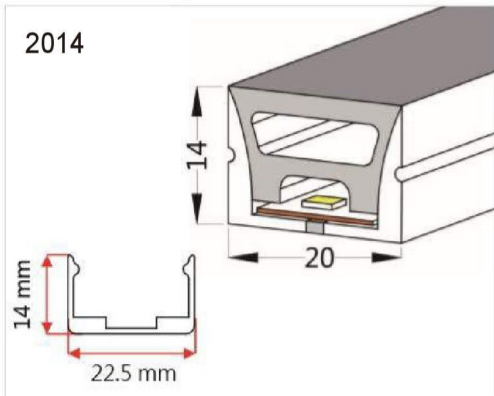
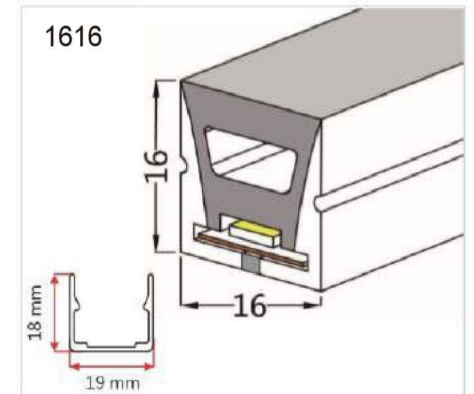
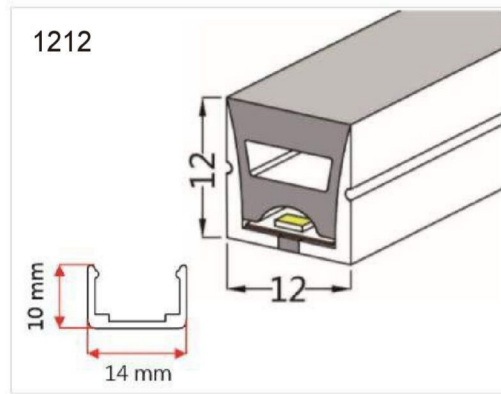
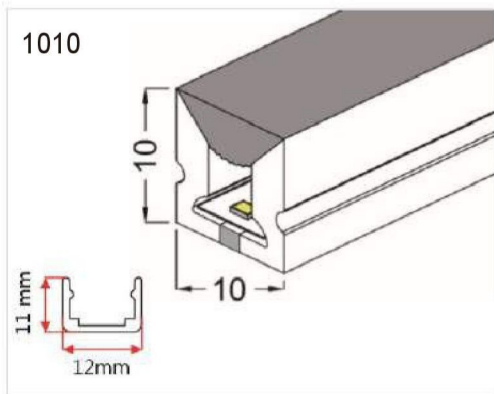
- Anti-yellowing and heat resisting silicon glue, chemical resistance acid and alkaline, available for extremely terrible outdoor environment.
- Uniform and soft luminance, no light spot.
- Superbrightness large chip, golden wire welded and copper led holder for quicker heat dissipation, higher stability, longer life span.
- Leadless SMT technique(RoHS certificated), smooth welding joint, firm connection of led and pcb.



# Structure

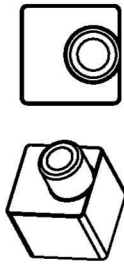


- 1. Top light emitting : Smooth and even light
- 2. Lock : Lock for the mounting clip
- 3. Side Wall : No light for transmitting
- 4. PCB : (1) Width  
(2) LED Qty  $\geq$ : W120led/m RGB 60led/m  
(3) LED Type : 2835/3014  
2216/2016 /5050
- 5. Cutting Window : Window for the cutting sign.

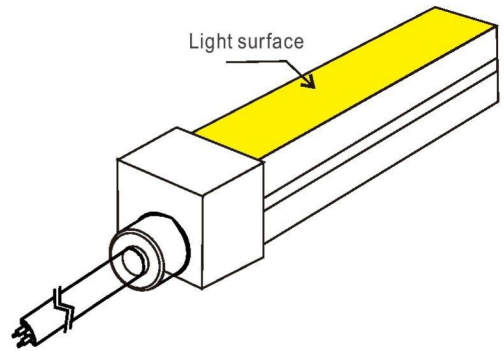


## End caps:

### 1, Straight cable output:



Connects light to power supply with pre-installed end feed cable, IP67. Cable length available in 0.2m, 1m, 2m etc.



### 2, Cable output from side:



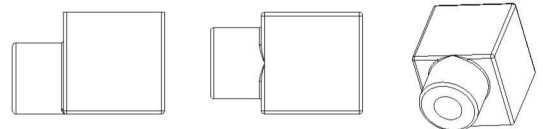
Right



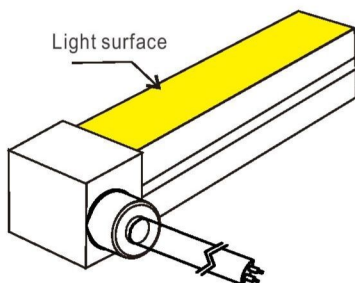
Left



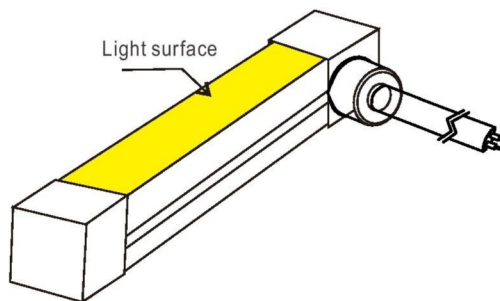
Bottom



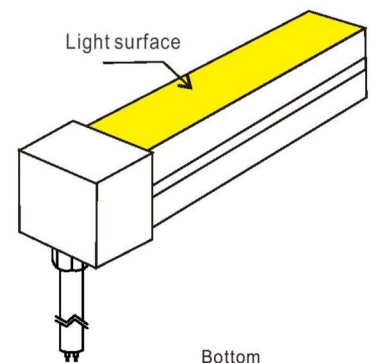
Connects light to power supply with pre-installed end feed cable, IP67. Cable length available in 0.2m, 1m, 2m etc.



Right

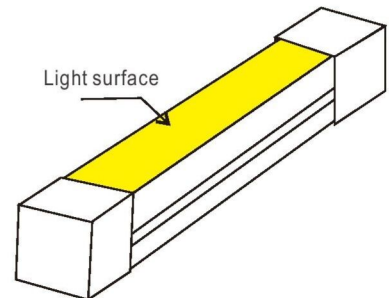


Left

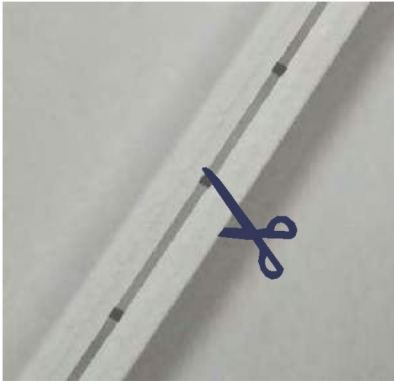


Bottom

### 3, End caps without hole:

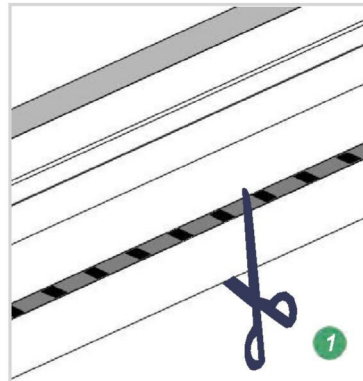


## Cutting Method

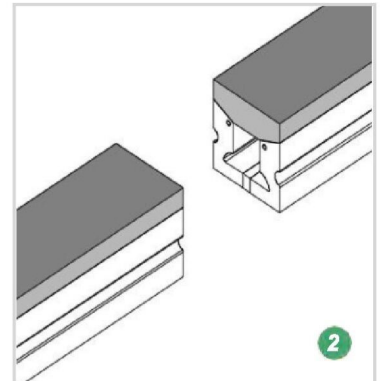


Cut it only at the cutting sign.

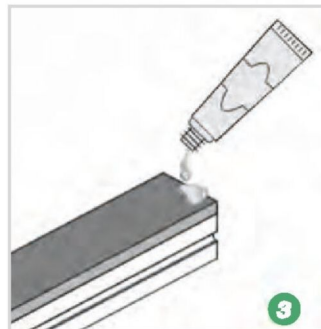
## Enclose the cutting end



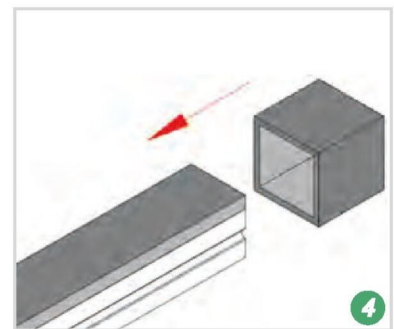
Cut



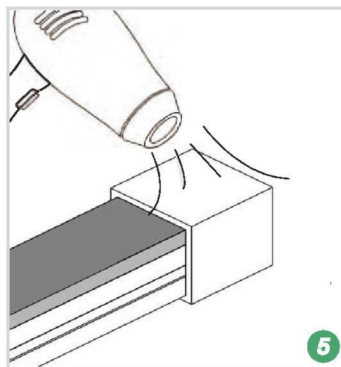
After Cutting



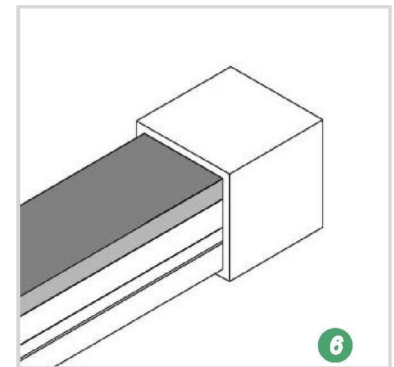
coat the section with glue uniformly after cutting



Insert the section into the plug according to direction of arrow

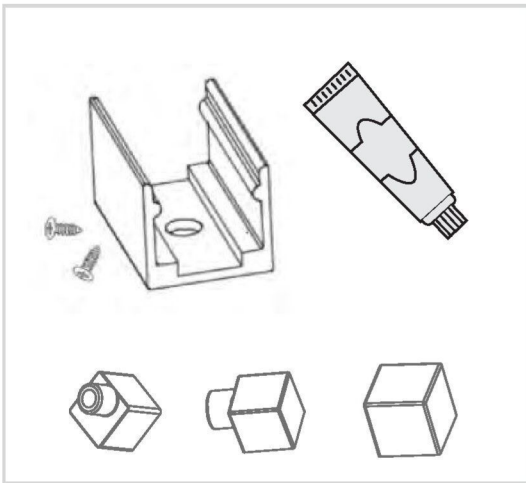


Dry the plug with hot wind or natural wind until make sure the installation is firm

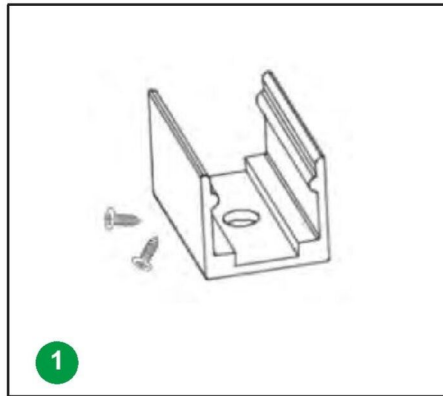


The effect of finished plug installation

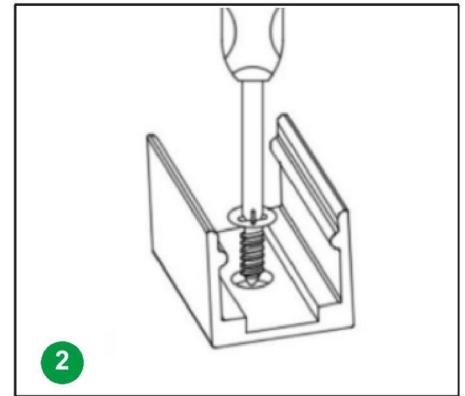
## Mounting Accessories



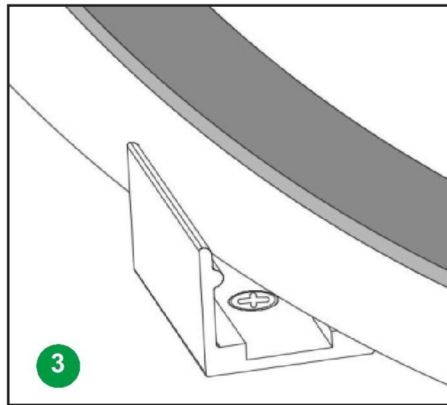
Mounting clip, glue, end caps, screws



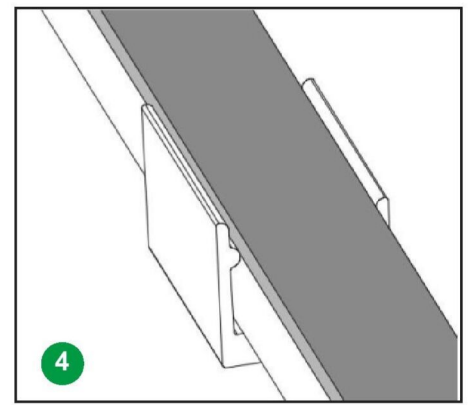
Screw and Clip



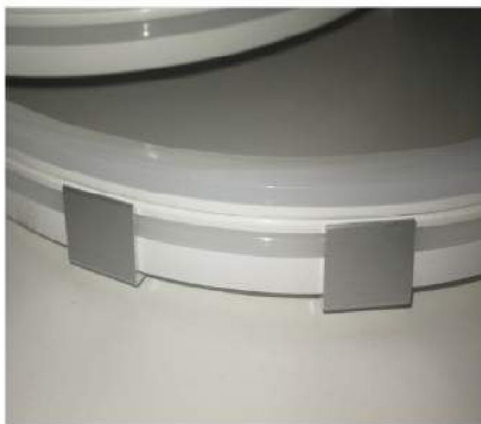
Fix the clip at appropriate area by screws



Top light emitting face up, and clip it inside gently.



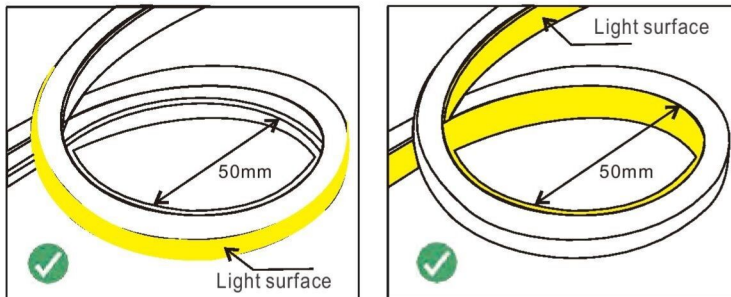
Lock it into the clip in parallel.



# Achtung!

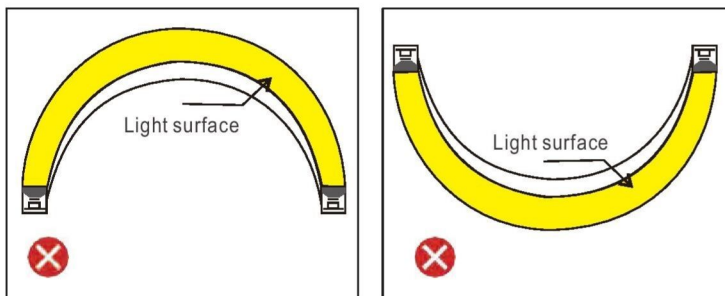
Please note that the strips are not bendable to all directions. As the appropriate specific shape and degree, please follow the following instruction:

## Correct bending way



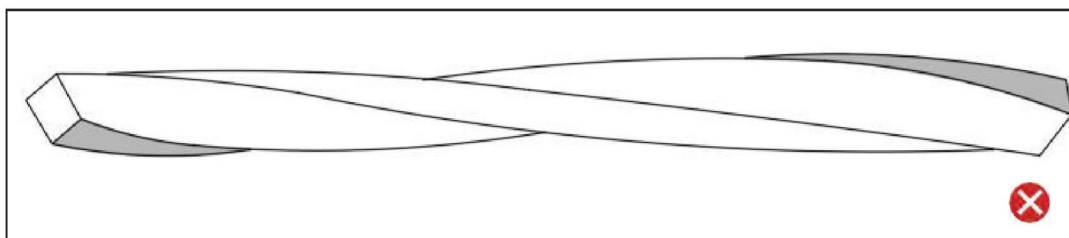
Lighting inside or outside as above  
Circle Bending Minimum Diameters: 50mm

## Wrong Bending



Do not bend it at side direction.

Do not bend it at side direction.



Do not twist the neon strip, otherwise the led will be damaged.

LED strips are low voltage products; you must use the power supply (transformer). Do not connect the led strip directly to the AC 110v or AC 220v, otherwise it will burn out the LED strips and lead to safety (security) accidents.

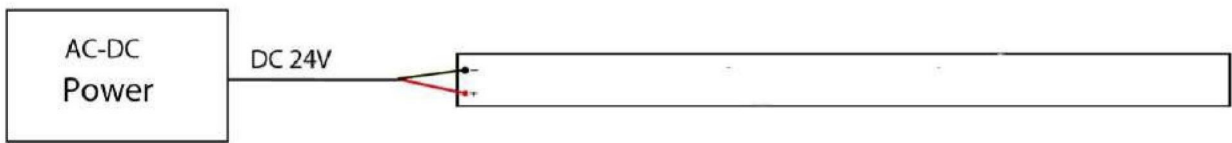
Please read the specifications thoroughly before installation by professional staff to make sure the safe use.

# Single Color Connection

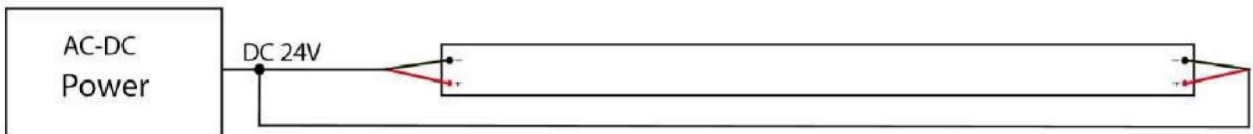
AC 100~240V IN



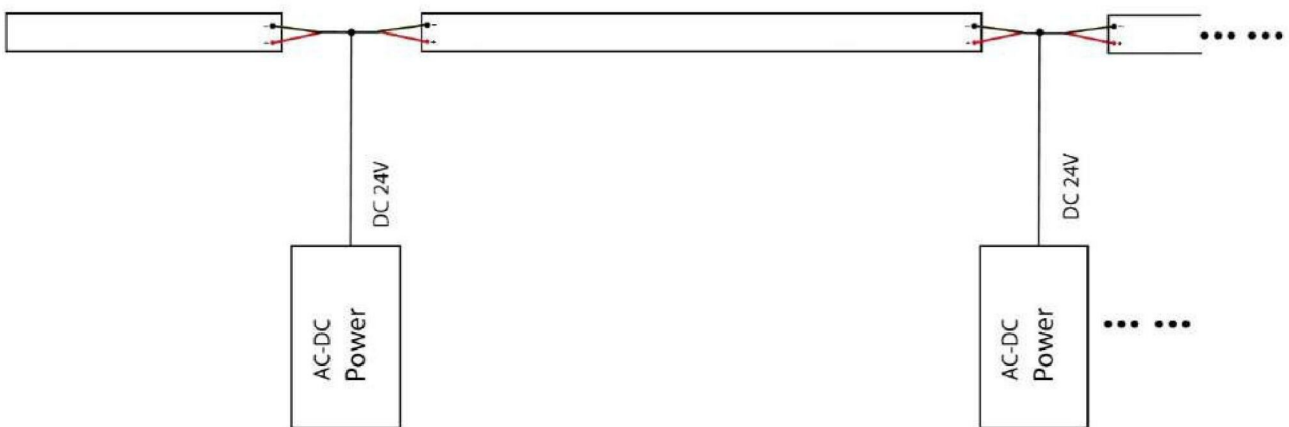
Type 1. Single Power Supply, Single End Feed



Type 2. Single Power Supply, Double Ends Feed

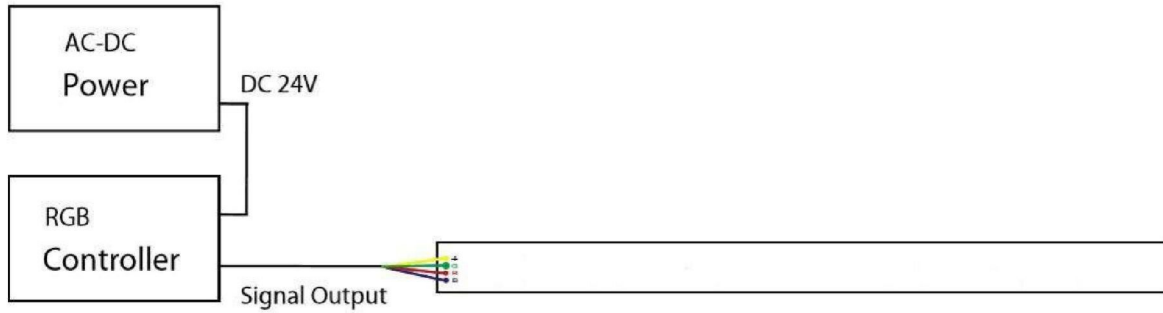


Type 3. Multi Power Supply, No Limitation for Connection Length



# RGB/RGBW Color Connection

Type 1. Single Power Supply, Single End Feed



Type 2. Single Power Supply, Double Ends Feed



Type 3. Multi Power Supply, No Limitation for Connection Length

